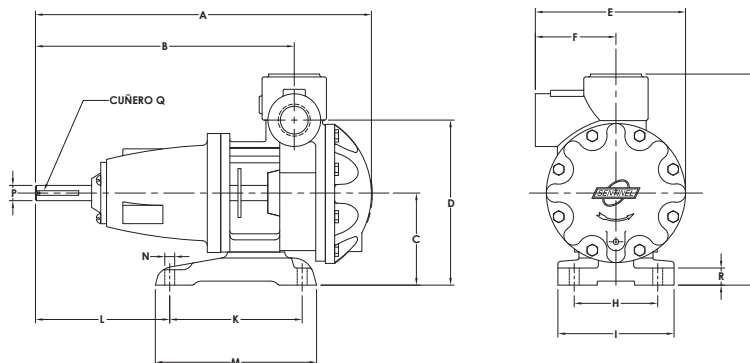


DIMENSIONES

SERIE T



Modelo	Puertos de Succión y Descarga (in)	Dimensiones generales mm (in)								
		A	B	C	D	E	F	G	H	I
T-1 SM / T-5 SM	1 X 1 NPT	350.0	270.0	96.0	172.0	156.0	84.0	220.0	87.0	121.0
T-6 SM / T-8 SM	1 1/4 X 1 1/4 NPT	392.0	319.0	114.0	197.0	170.0	92.0	257.0	115.0	152.0
T-9 SM / T-9E SM	2 X 2 NPT	488.0	402.0	137.0	203.0	246.0	143.0	312.0	110.0	156.0

Modelo	Puertos de Succión y Descarga (in)	Dimensiones generales mm (in)									
		J	K	L	M	N	O	P	Q	R	
T-1 SM / T-5 SM	1 X 1 NPT	72.0	138.0	140.0	168.0	13/32"	52.0	5/8"	3/16" X	16.0	
T-6 SM / T-8 SM	1 1/4 X 1 1/4 NPT	80.0	167.0	146.0	207.0		61.0	3/4"	3/32"		
T-9 SM / T-9E SM	2 X 2 NPT	90.0	194.0	204.0	238.0		90.0	1 1/8"	1/4" X 1/8"		

